



The VT is a low profile narrow Vapor Tight luminaire that is an excellent choice for parking garages, car washes, cool storage areas and locations subject to the elements due to its vapor and dust proof enclosure.

Features and Specifications:

- Available in 2' 4' or 8' lengths (nominal)
- Featuring Power and Color Select technology (3500K-5000K)
- Traditional design, narrow body, Vapor Tight fixture, suitable for rugged, demanding applications
- Powered 120-277V, 0-10V dimming LED driver, 10% minimum
- Smooth, diffused, impact resistant polycarbonate lens provides even lit appearance
- Compatible with motion and occupancy sensors, featuring high-end trim and daylight sensing.
- Stainless steel, tamper resistant lens clips (screws not included)
- Includes mounting hardware, cordgrip, and hole plug for out-of-the-box installation
- NEMA 4X rated enclosure
- IP66 Ingress Protection
- IK10 Impact Rating
- Ambient operating temperature: -40°C/-40°F to 50°C/122°F
- LED chip lifetime: L70 >100,000 hours @ 25°C/77°F ambient fixture temperature
- PF: > 0.95
- THD: < 20%
- UL Certified for Wet Locations
- ETL Sanitation Listed NSF/ANSI Standard 2 - Food Equipment, Splash Zone (Not for Direct Food Zone)

VT narrow enclosed vapor & dust-proof



POWER SELECT



COLOR SELECT

Warranty:

- 5 years - part replacement only (see our terms & conditions page at www.lamarled.com for details)

Ordering Guide / Example

VTLED-4A-44PS-8CSA

VTLED				
Series	Size	Selectable Power	Selectable Color (CCT)	General Options
VTLED	2A = 2' nominal	25PS = 15-25W (2' model)	8CSA = 3500K, 4000K or 5000K	TP = Tamperproof screws (KIT)
	4A = 4' nominal	44PS = 18-44W (4' model)		
	8A = 8' nominal	75PS = 44-75W (4' model) 90PS = 54-90W (8' model)		

Consult factory for additional options not shown or listed including optional motion sensor

Correlated Color Temperatures (CCTs) fall within the nominal range as per ANSI C78.377A

Project Information:

Job Name: _____ Fixture Type: _____

Catalog #: _____ Date: _____

Comments: _____

Certification & Listings:

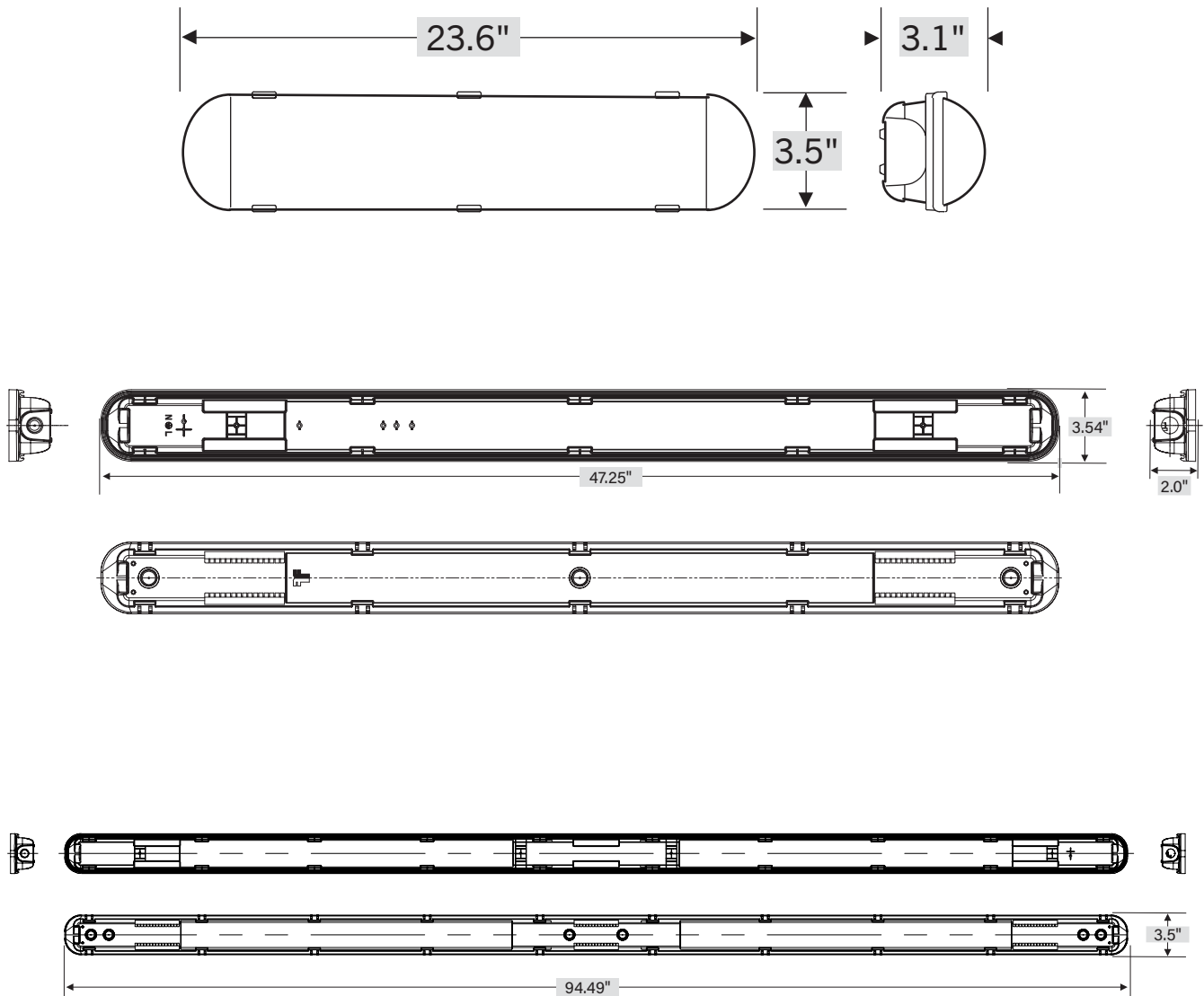


Power and Color Select

CATALOG NUMBER	NOMINAL SIZE	SELECTABLE WATTAGE	SELECTABLE CCT	LUMENS	EFFICACY	INPUT VOLTAGE	DIMMABLE	DLC	CRI
VT-LED-2A-25PS-8CSA	2ft	25W	3500K	3250	130 lm/W	120-277V	0-10V	Yes	>80
			4000K	3275	131 lm/W				
			5000K	3300	132 lm/W				
		20W	3500K	2660	133 lm/W				
			4000K	2680	134 lm/W				
			5000K	2700	135 lm/W				
		15W	3500K	2040	136 lm/W				
			4000K	2055	137 lm/W				
			5000K	2070	138 lm/W				
VT-LED-4A-44PS-8CSA	4ft	44W	3500K	5764	131 lm/W	120-277V	0-10V	Yes	>80
			4000K	5808	132 lm/W				
			5000K	5852	133 lm/W				
		28W	3500K	3892	139 lm/W				
			4000K	3920	140 lm/W				
			5000K	3948	141 lm/W				
		18W	3500K	2556	142 lm/W				
			4000K	2574	143 lm/W				
			5000K	2592	144 lm/W				
VT-LED-4A-75PS-8CSA	4ft	75W	3500K	9750	130 lm/W	120-277V	0-10V	Yes	>80
			4000K	9825	131 lm/W				
			5000K	9900	132 lm/W				
		64W	3500K	8512	133 lm/W				
			4000K	8576	134 lm/W				
			5000K	8640	135 lm/W				
		44W	3500K	6160	140 lm/W				
			4000K	6204	141 lm/W				
			5000K	6248	142 lm/W				
VT-LED-8A-90PS-8CSA	8ft	90W	3500K	11790	131 lm/W	120-277V	0-10V	Yes	>80
			4000K	11880	132 lm/W				
			5000K	11970	133 lm/W				
		75W	3500K	10125	135 lm/W				
			4000K	10200	136 lm/W				
			5000K	10275	137 lm/W				
		54W	3500K	7560	140 lm/W				
			4000K	7614	141 lm/W				
			5000K	7668	142 lm/W				

BEFORE INSTALLATION, PLEASE CONSULT YOUR LOCAL ORDINANCES AND BUILDING CODES FOR COMPLIANCE

Dimensions



When used in draft prone areas, fixtures with high frequency sensors should be rigidly mounted

LAMAR LED assumes no responsibility for misapplication of fixtures

Due to the rapid advancements in LED technology, please consult our website for the most current technical data.

Specifications subject to change without notice - Rev 0324